

Compact TOUCHLOCK stainless steel keypad - K38/K50/K75/K75 screw connector

System specifications

Number of PINs	50
Door open time	1 sec - 60 secs
Readers per door	1
Exit button input	Yes
Silent operation	Yes
Bell button output	Yes

Electrical

Operating Voltage	11V - 14V DC
Current consumption	170mA
12V DC lock output	750mA @ 12V

Environment

Operating temperature	-20°C - +55°C -4°F - +131°F
Moisture resistance	IPX7 (Screw connector- No)
Vandal Resistance	Medium



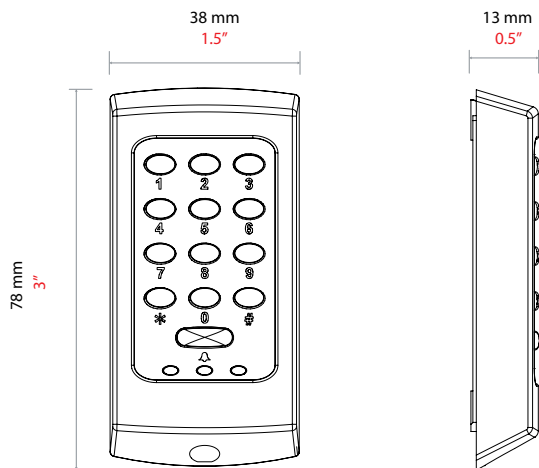
The compact, stainless steel K38/K50/K75/K75 screw connector Keypads are devices that offer the simplicity of PIN or Code authentication for system users.

All compacts are standalone, meaning that they do not use a PC in their set up. The Compact products are a control unit and reader in one; they are great for lower security internal and external doors that need to have restricted access.

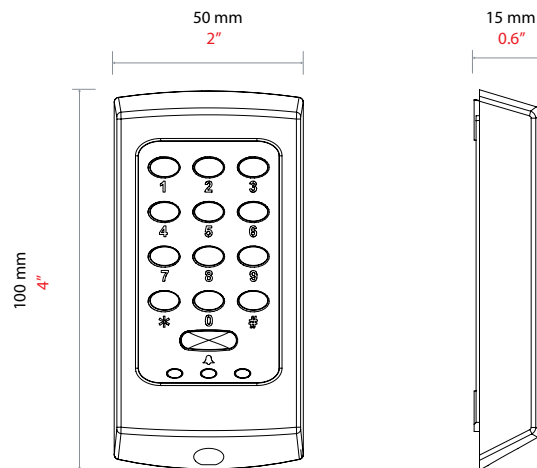
The 75 Series variant is also optionally available with a screw connector version making cabling even simpler.

By default, all 3 LEDs are lit. If access is granted, the green LED flashes. If access is denied, the red LED flashes. An audible tone is emitted in both cases.

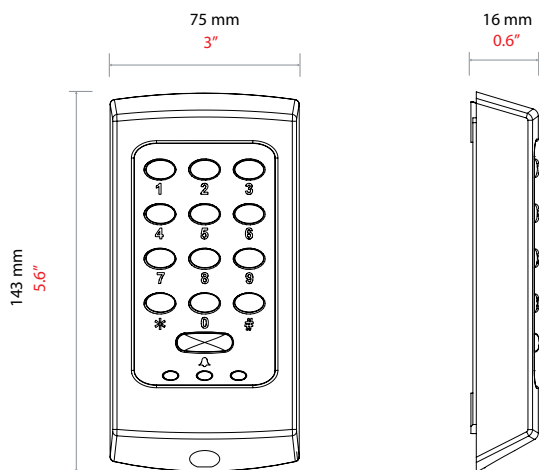
K38ss



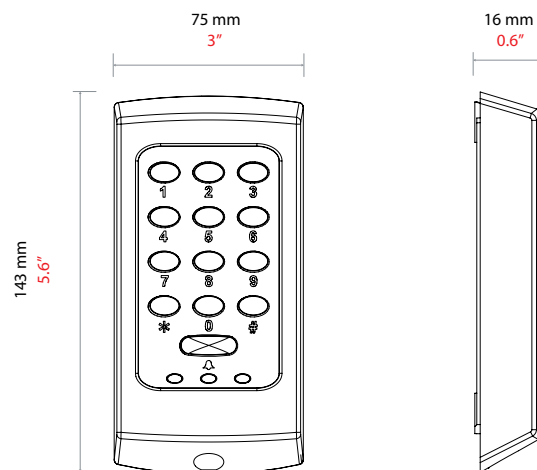
K50ss



K75ss



K75ss,sc



Accessories and sales codes

Compact TOUCHLOCK stainless steel keypad - K38

332-210

Compact TOUCHLOCK stainless steel keypad - K50

352-210

Compact TOUCHLOCK stainless steel keypad - K75

372-210

Compact TOUCHLOCK stainless steel keypad - K75, Screw connector

372-220